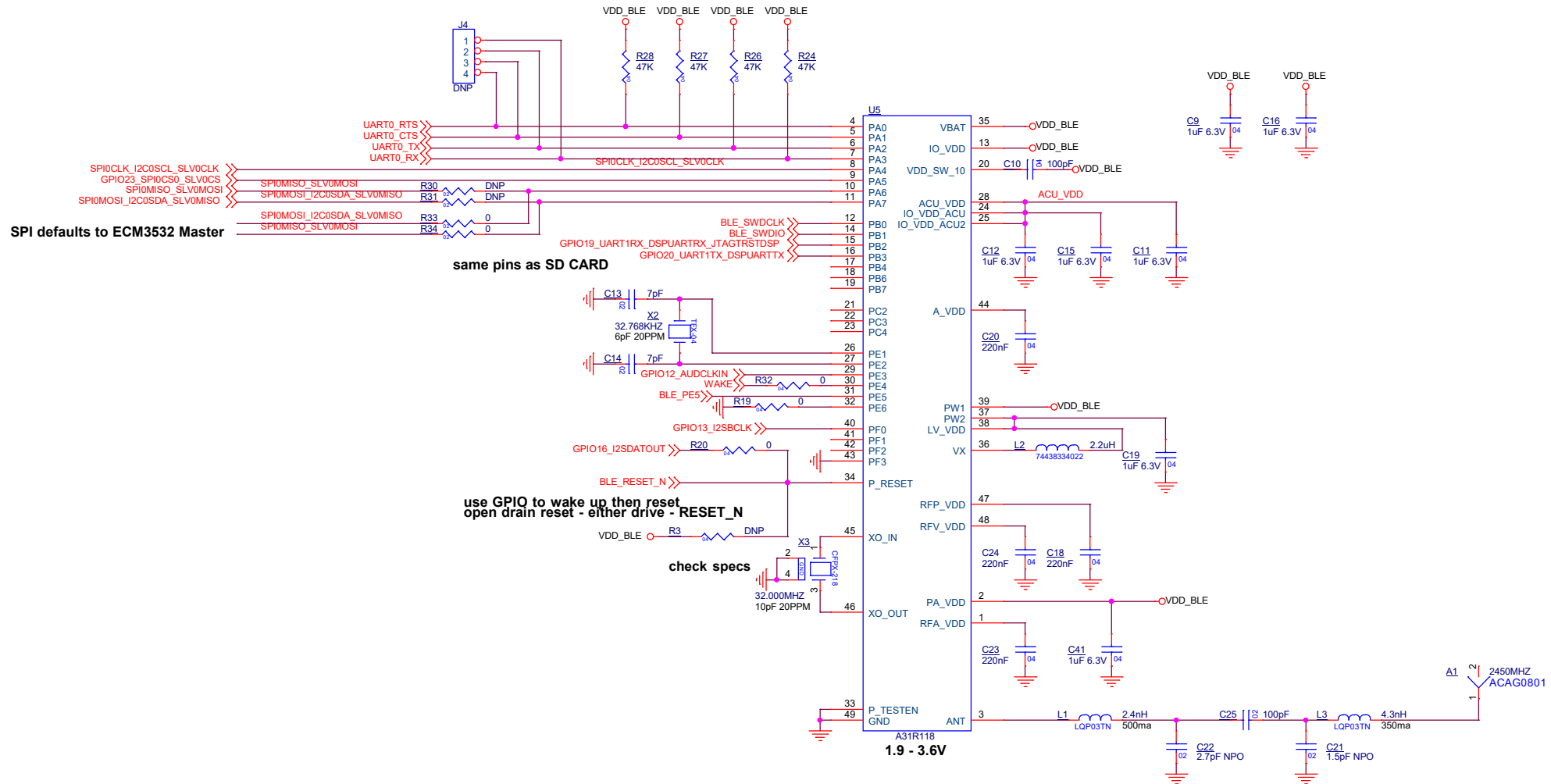


ETA Compute Inc - Confidential and Proprietary

Title		
HUMMINGBIRD - ECM3532 PROMO BOARD		
Size B	Document Number	Rev B
Date:	Friday, May 15, 2020	Sheet 1 of 5



SPI defaults to ECM3532 Master

same pins as SD CARD

use GPIO to wake up then reset open drain reset - either drive - RESET\_N

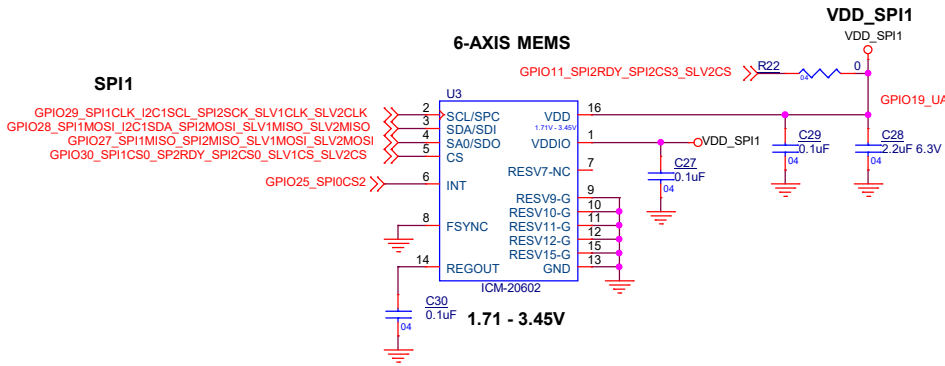
check specs

1.9 - 3.6V

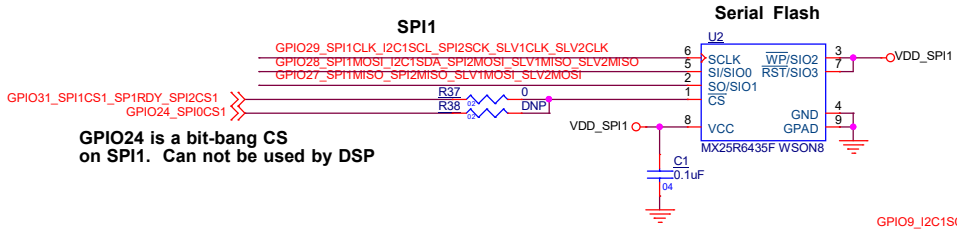
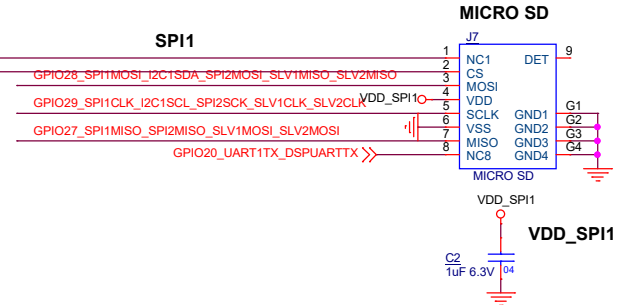
LAYOUT: 50 OHM RF TRACES

ETA Compute Inc - Confidential and Proprietary

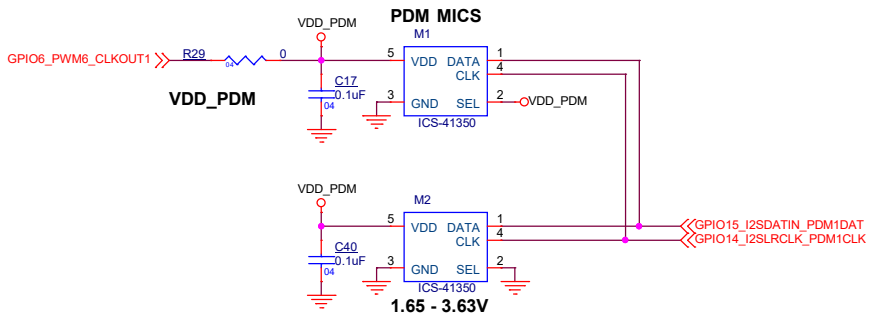
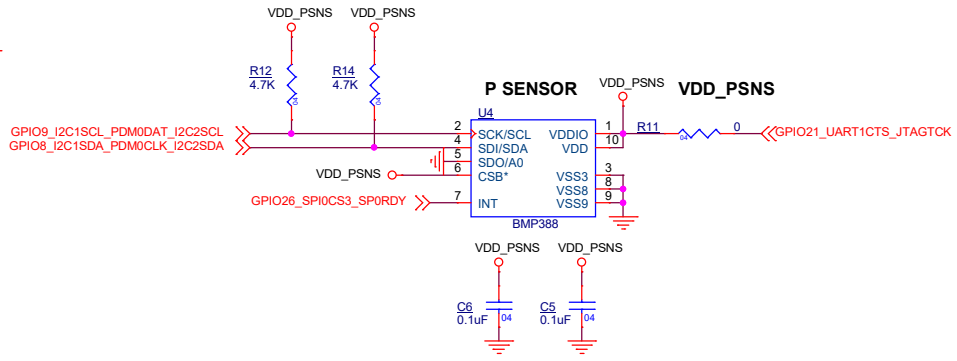
Title		
HUMMINGBIRD - ECM3532 PROMO BOARD		
Size B	Document Number	Rev B
Date:	Friday, May 15, 2020	Sheet 2 of 5



**GPIO24 is a bit-bang CS on SPI1. Can not be used by DSP**



**GPIO24 is a bit-bang CS on SPI1. Can not be used by DSP**

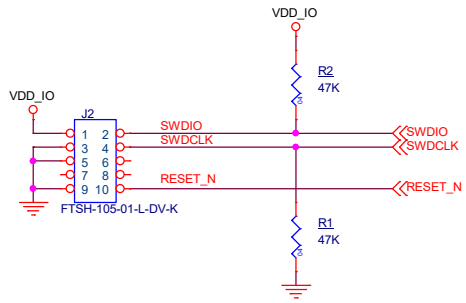


**1.65 - 3.63V**

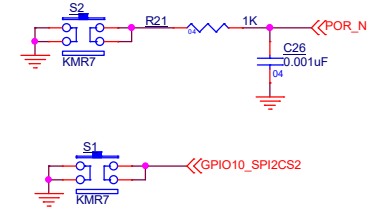
ETA Compute Inc - Confidential and Proprietary

Title		
HUMMINGBIRD - ECM3532 PROMO BOARD		
Size B	Document Number	Rev B
Date:	Friday, May 15, 2020	Sheet 3 of 5

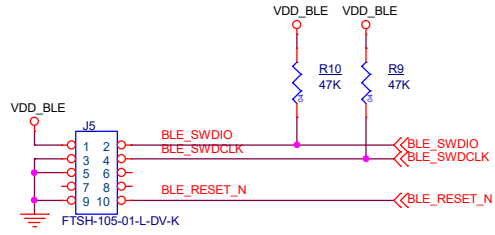
## ECM3532 - M3 CORESIGHT



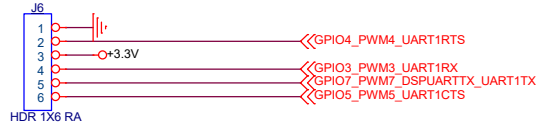
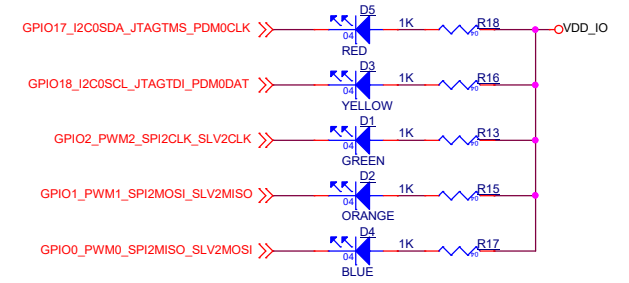
## BUTTONS



## A31R118 - CORESIGHT



## LEDS



ETA Compute Inc - Confidential and Proprietary

Title		
HUMMINGBIRD - ECM3532 PROMO BOARD		
Size B	Document Number	Rev B
Date:	Friday, May 15, 2020	Sheet 4 of 5

5

4

3

2

1

D

D

C

C

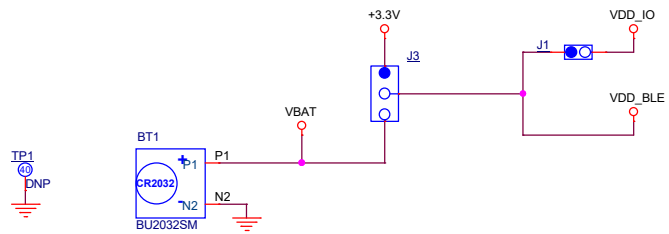
B

B

A

A

### +3.3V POWER FROM FT CONNECTOR



ETA Compute Inc - Confidential and Proprietary

Title			
HUMMINGBIRD - ECM3532 PROMO BOARD			
Size	Document Number		Rev
B	ECM3531-EVB02		B
Date:	Friday, May 15, 2020	Sheet	5 of 5
		1	

5

4

3

2

1